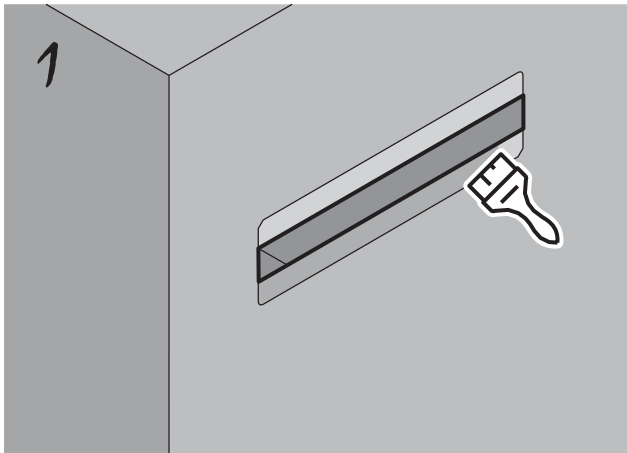
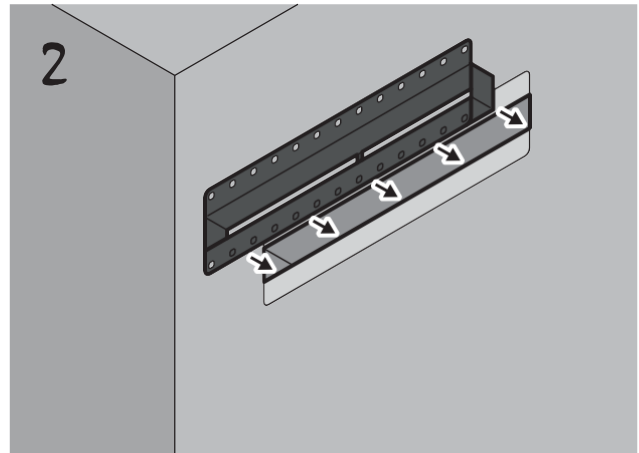


BLACKLINE

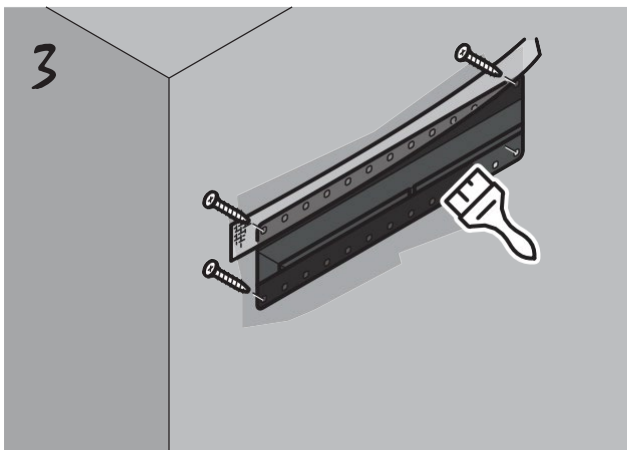
INSTALLATION MANUAL



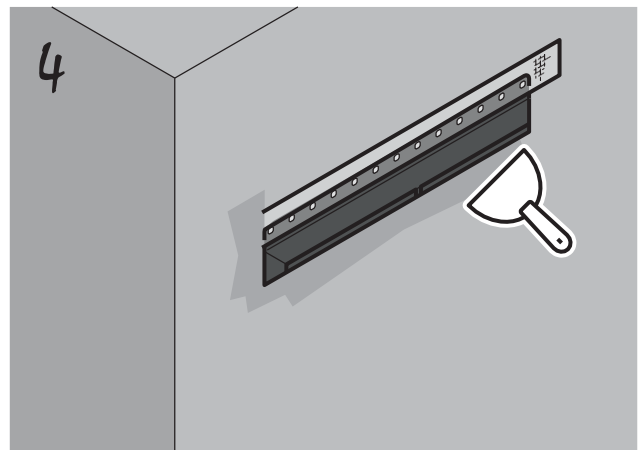
Prior to installing the grille, it is necessary to mill the plasterboard sheet under the mounting frame according to the thickness of the metal and then prime the milled surface.



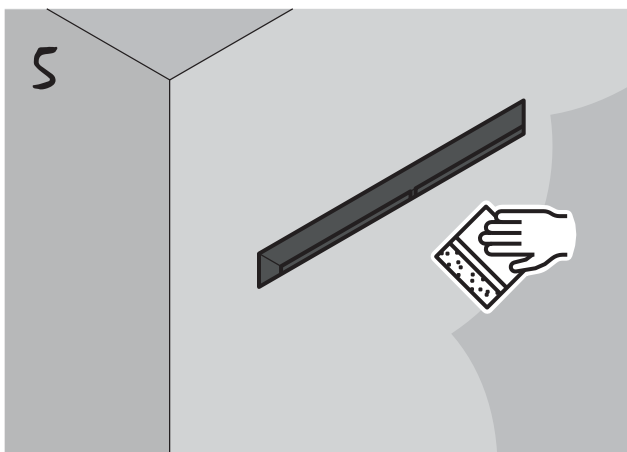
Insert the grille body into the opening.



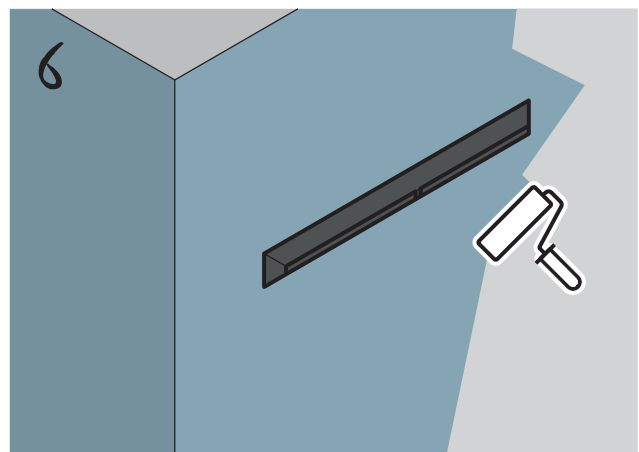
Fix the grille body with countersunk metal screws. Prime the mounting frame surface, then put painting mesh over the top.



Cover the mesh with filler and wait for it to dry.



Sand. Repeat steps 4 and 5 if seen fit.



Paint the surface and you're done!