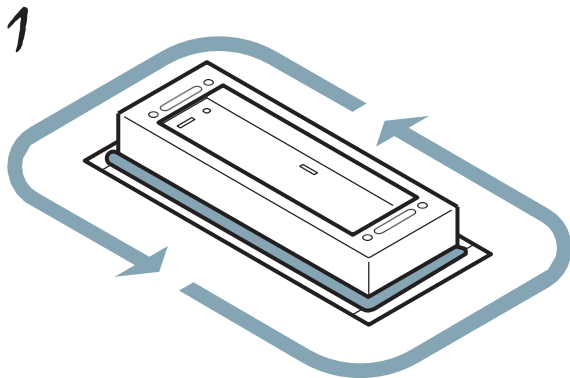
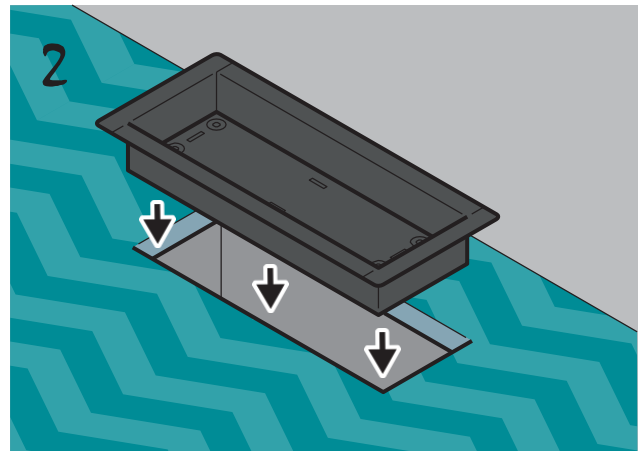


OPTIMUM

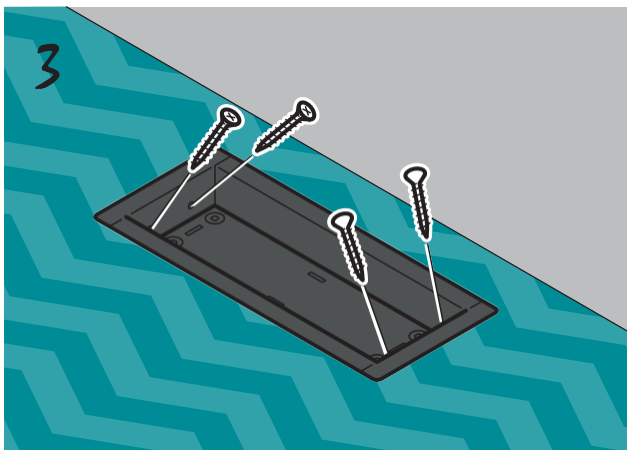
INSTALLATION MANUAL



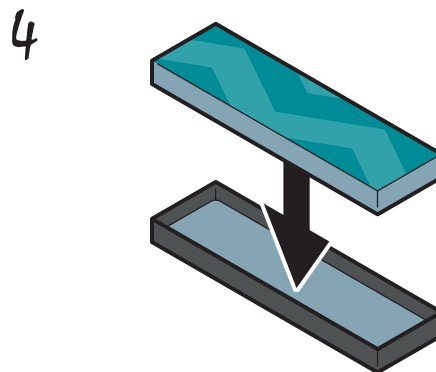
Apply a little adhesive to the grille body.



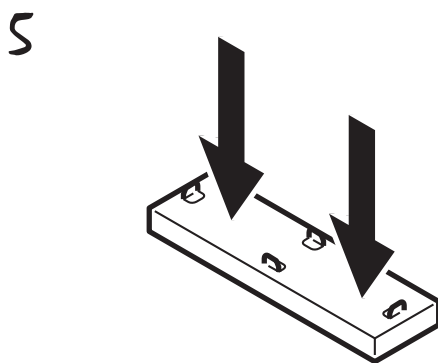
Insert the grille casing into the duct opening. Ensure that the lobes of the casing fit firmly on the surface.



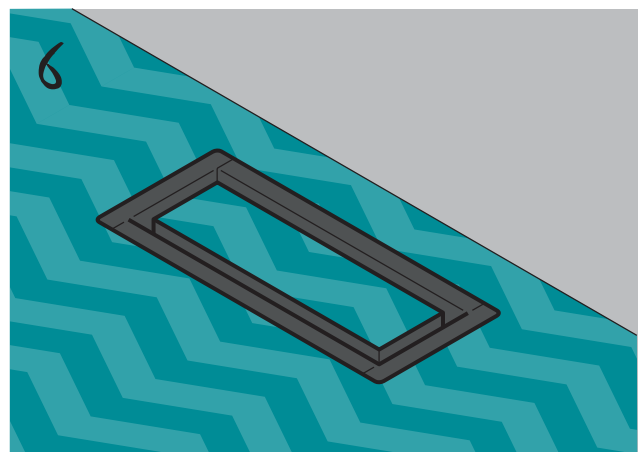
If necessary, the grille casing can be mechanically fixed using screws by first drilling holes in the casing.



Apply adhesive to the tray and attach the decorative element of your finish.



Invert the tray and press it against a flat surface. Adjust the edges of the tray and the decorative finish insert to the same plane.



Allow the adhesive to fully dry then push the tray into the adjustment frame.