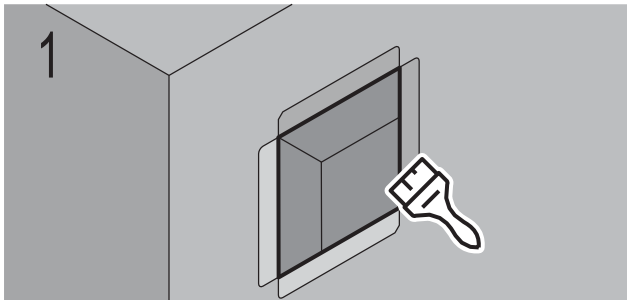
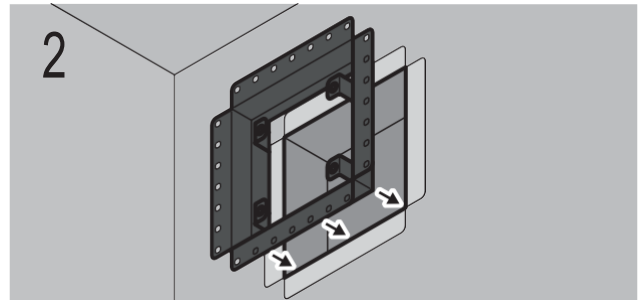


QUADRO

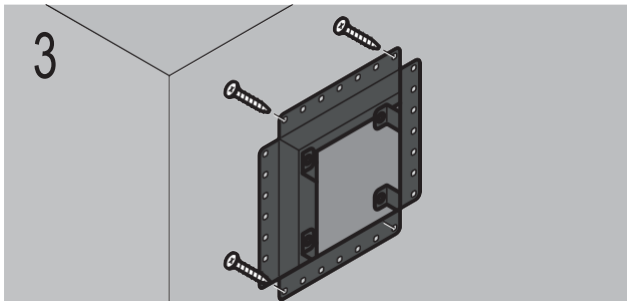
INSTALLATION MANUAL



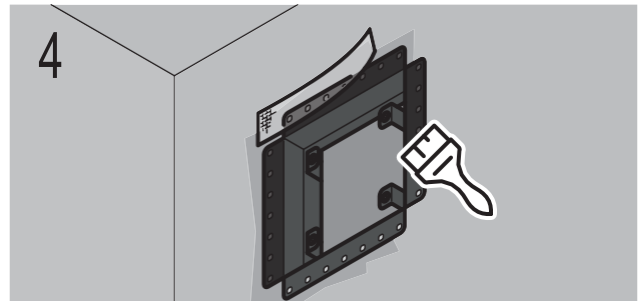
1
Prior to installing the grille, it is necessary to mill the plasterboard sheet under the mounting frame according to the thickness of the metal and then prime the milled surface.



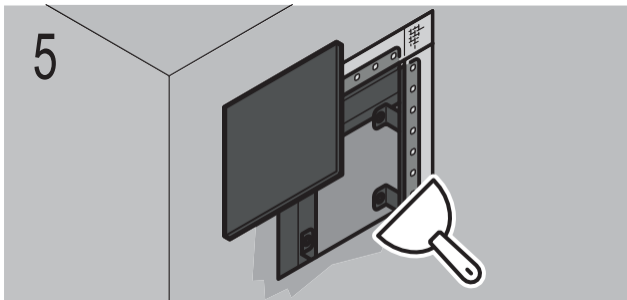
2
Insert the grille body into the opening.



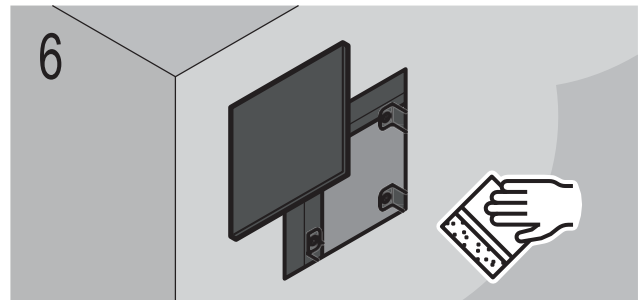
3
Be sure that the mounting frame fits tightly on the surface. Fix the grille body with countersunk metal screws.



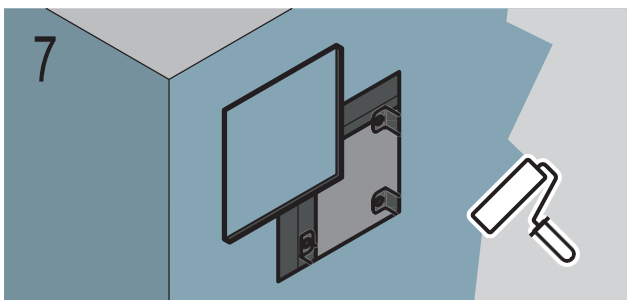
4
Prime the mounting frame surface, then put paint mesh over the top.



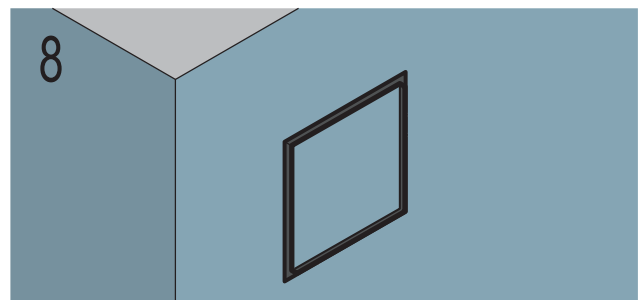
5
Cover the mesh with filler and wait for it to dry.



6
Sand. Repeat steps 5 and 6 if seen fit.



7
Paint the walls and the ventilation grille tray. We recommend priming the surface before painting.



8
Install the tray into the grille body. Use the clamps on the grille body to adjust the tray flush to the surface. You're done!