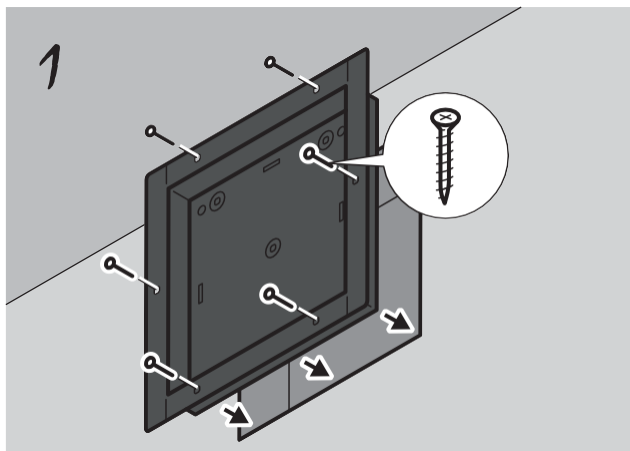


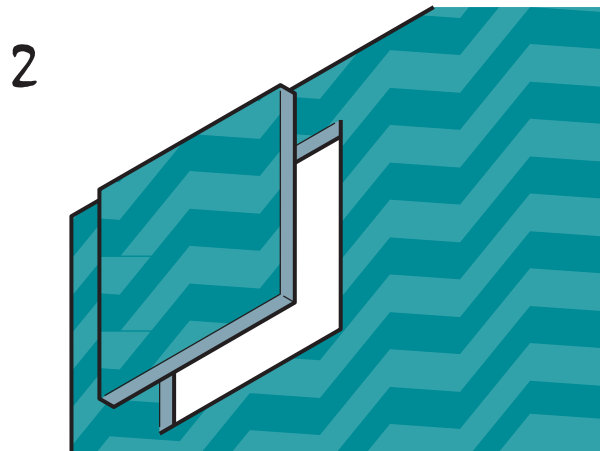
# TECHNO PRO

## INSTALLATION MANUAL

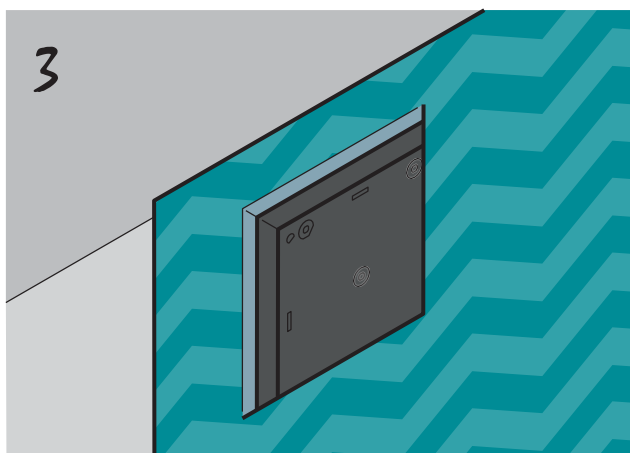
 SCHIBERG



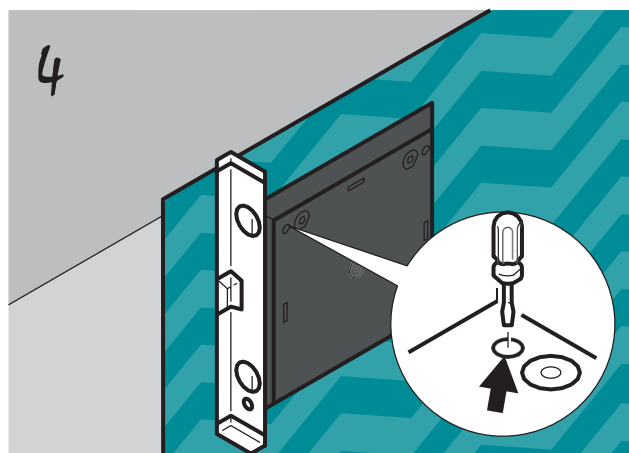
1  
Install the grille casing inside an opening in the rough wall. Fix the casing with screws.



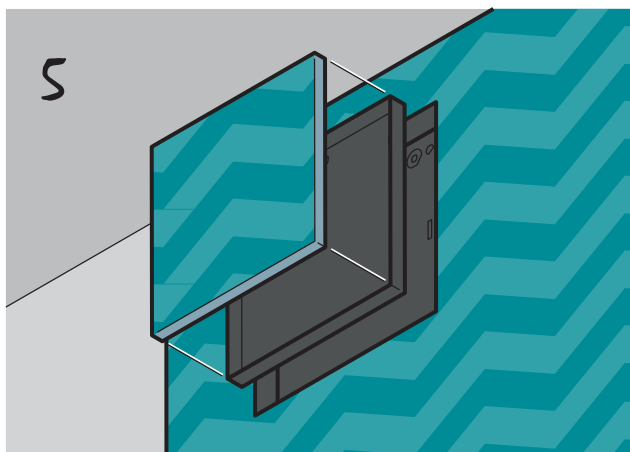
2  
Accurately carve a hole in the surface finish to match the size of the adjusting frame. Keep the cut-out section of the finish.



3  
Place the ready-made finish on top of the frame body so that it fits over the adjusting frame.



4  
Use the adjustment screws to adjust the frame level with the top edge of the finish.



5  
Carve the decorative element to insert into the tray in accordance with the geometry and shape of the finish.



6  
Spread adhesive on the tray and glue the prepared finish element. You're done!