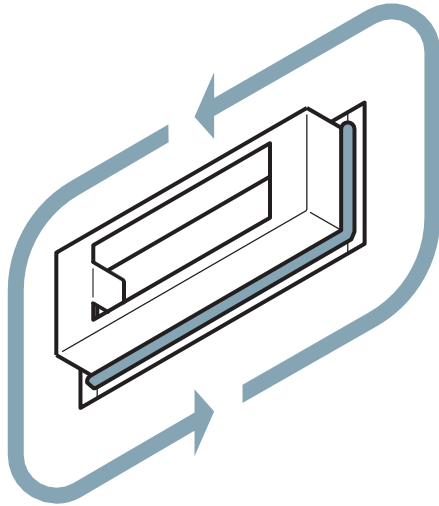
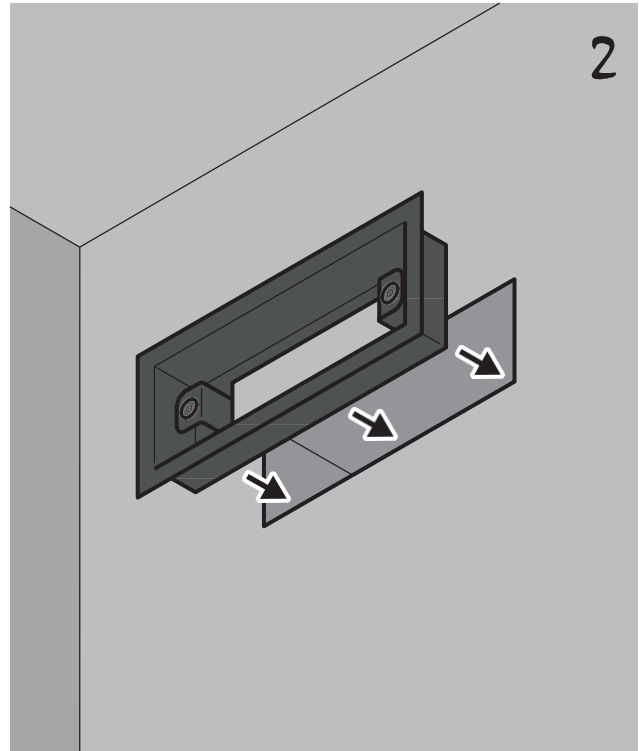


UNIVERSAL INSTALLATION MANUAL



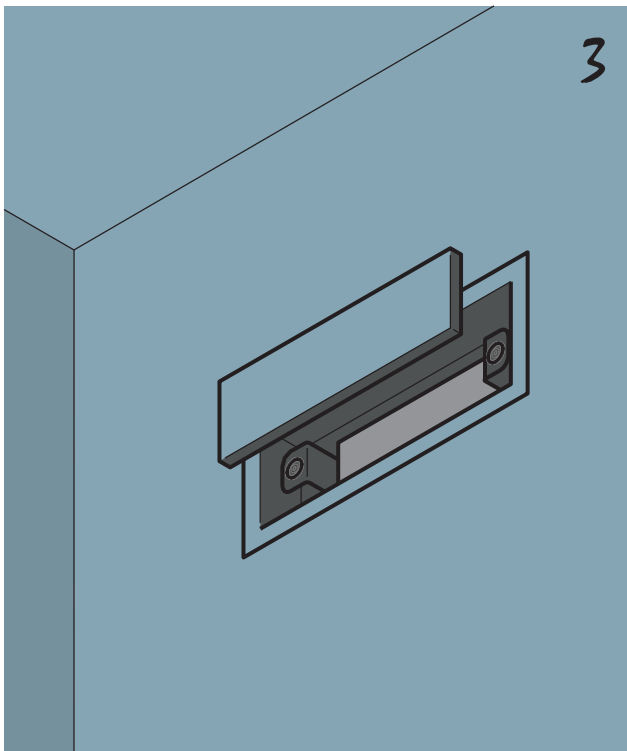
Apply a little adhesive to the grille body.

1



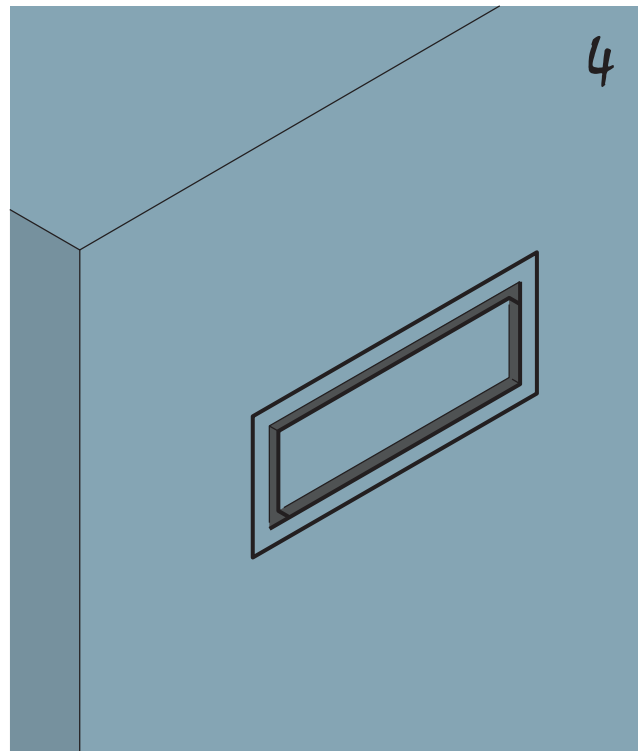
2
Insert the grille casing into the duct opening. Ensure that the lobes of the casing fit firmly on the surface.

2



3
Paint the walls and the middle part of the vent.

3



4
Insert the middle part into the grille body.

4